

TBP02303B1+TBN01105B (Mounting fittings)



Comfort  
Glide



Comfort  
Wave

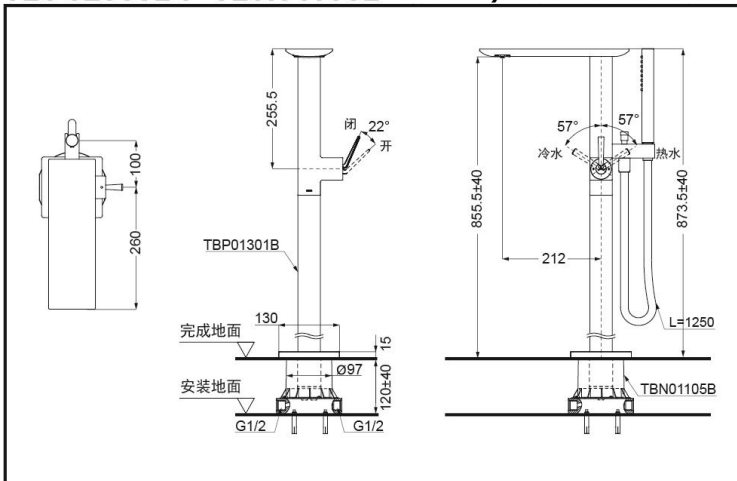
### FEATURES

- Elegant appearance.
- Beautiful curves reveal elegant taste.
- Easy usage with sufficient flow.

### SPECIFICS

Water Inlet Requirement:  
0.05MPa(Dynamic Pressure)~  
1.0MPa(Static Pressure)  
Water Efficiency:  
Grade2(Handshower)

TBP02303B1+TBN01105B Floor standing Tub Filler(W/Hand Shower)



TOTO(CHINA) CO.,LTD. All rights reserved.

### OTHERS

Series: ZL